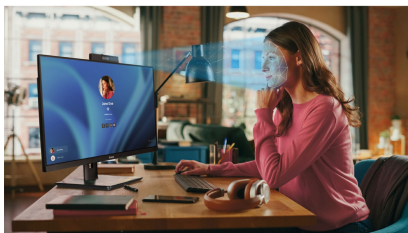




24" IPS monitor with a built-in Windows Hello camera and microphone

The XUB2490HSUH is a first-rate 24" desktop monitor designed for both professional and personal use. The IPS matrix ensures precise and consistent colour reproduction, delivering stunning visuals with wide viewing angles. Featuring a Blue Light Reducer and flicker-free LCD technology, it reduces eye strain, providing a comfortable viewing experience. Equipped with a 150mm height-adjustable stand offering pivot and swivel functions, it allows for easy customization of screen position to suit your preferences. Moreover, it boasts a built-in 1080p autofocus webcam and microphone compliant with Windows Hello, adding convenience and security to your workspace.



Windows Hello webcam

The built-in web camera with microphone and autofocus guarantees seamless compatibility with any video or web conferencing platform. Compliance with Windows Hello allows users to sign in to their devices using biometric authentication methods. It provides a convenient and secure way to access devices and applications without the need for passwords.



IPS Technology

IPS technology offers higher contrast, darker blacks and much better viewing angles than standard TN technology. The screen will look good no matter what angle you look at it.

01 DISPLAY CHARACTERISTICS

| | |
|---------------------|---|
| Design | 3-side borderless |
| Diagonal | 23.8", 60.5cm |
| Panel | IPS LED, matte finish |
| Native resolution | 1920 x 1080 @100Hz (2.1 megapixel Full HD) |
| Aspect ratio | 16:9 |
| Panel brightness | 250 cd/m ² |
| Static contrast | 1300:1 |
| Advanced contrast | 80M:1 |
| Response time (GTG) | 4ms |
| Viewing zone | horizontal/vertical: 178°/178°, right/left: 89°/89°, up/down: 89°/89° |
| Colour support | 16.7mIn (sRGB: 99%; NTSC: 72%) |
| Horizontal Sync | 30 - 115kHz |
| Viewable area W x H | 527 x 296.5mm, 20.7 x 11.7" |
| Pixel pitch | 0.275mm |
| Colour | matte, black |

02 INTERFACES / CONNECTORS / CONTROLS

| | |
|---------------------|---------------------------------------|
| Signal input | HDMI x1 DisplayPort x1 |
| USB HUB | x3 (v.3.2 Gen 1 (5Gbps, DC5V, 900mA)) |
| HDCP | yes |
| Headphone connector | yes |

03 FEATURES

| | |
|-----------------------|---|
| Blue light reducer | yes |
| Flicker free | yes |
| Adaptive Sync support | yes |
| Extra | Built-in 1080p webcam with autofocus and microphone compliant with Windows hello |
| OSD languages | EN, DE, FR, ES, IT, PT, RU, JP, CZ, NL, PL |
| Control buttons | Signal Select/ Exit (Input), + / Volume, - / Eco, Menu, Power |
| User controls | picture adjust (contrast, brightness, i-Style colour, ACR, Eco, OD, X-Res technology), image settings (blue light reducer, sharp and soft, video mode adjust), colour settings (gamma, 6-axis, colour temp.), audio settings (volume, mute), OSD settings (H. position, V. position, OSD time, OSD rotate, language), extra 1 (Adaptive Sync, USB BC), extra 2 (reset, DDC/CI, signal select, HDMI range, opening logo, LED, information) |
| Speakers | 2 x 2W |
| Convenience | Kensington-lock™ prepared, DDC2B, Mac OSX |

04 MECHANICAL

| | |
|------------------------------|---|
| Display position adjustments | height, swivel, tilt, pivot (rotation both sides) |
| Height adjustment | 150mm |
| Rotation (PIVOT function) | 90° |
| Swivel stand | 90°; 45° left; 45° right |
| Tilt angle | 23° up; 5° down |

| | |
|-------------------------|-------------|
| VESA mounting | 100 x 100mm |
| Cable management system | yes |

05 ACCESSORIES INCLUDED

| | |
|--------|---------------------------------|
| Cables | power, USB, HDMI |
| Other | quick start guide, safety guide |

06 POWER MANAGEMENT

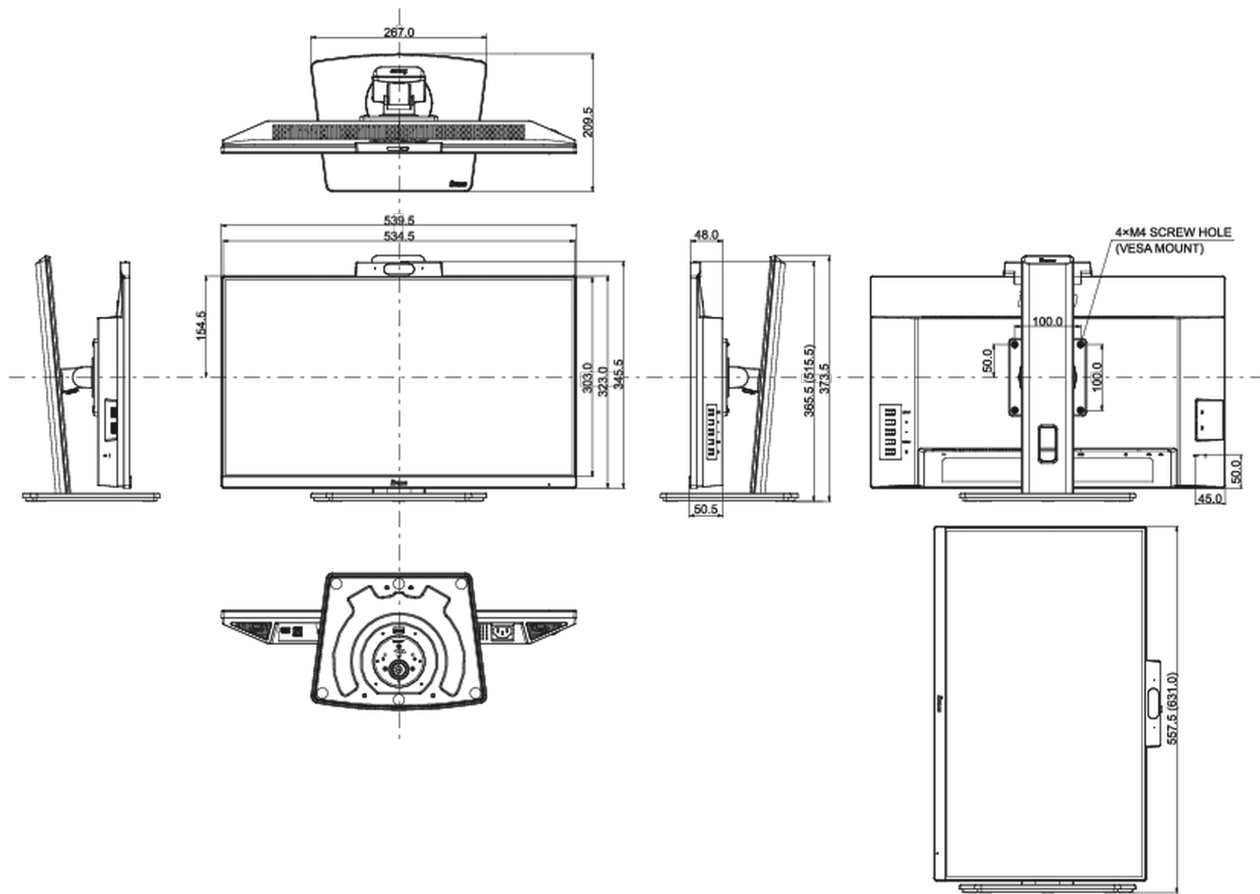
| | |
|-------------------|---|
| Power supply unit | internal |
| Power supply | AC 100 - 240V, 50/60Hz |
| Power usage | 14W default, 0.5W stand by, 0.3W off mode |

07 SUSTAINABILITY

| | |
|---|---|
| Regulations | TCO Certified, CE, TÜV-Bauart, EAC, VCCI-B, PSE, RoHS support, ErP, WEEE, REACH, UKCA |
| Energy efficiency class (Regulation (EU) 2017/1369) | D |
| REACH SVHC | above 0.1%: Lead |

08 DIMENSIONS / WEIGHT

| | |
|------------------------------|---------------------------------|
| Product dimensions W x H x D | 539.5 x 365.5 (515.5) x 209.5mm |
| Box dimensions W x H x D | 610 x 410 x 159mm |
| Weight (without box) | 5kg |
| Weight (with box) | 6.6kg |
| EAN code | 4948570123186 |



All trademarks and registered trademarks acknowledged. E & O E. Specification subject to change without notice. All LCD's comply with ISO-9241-307:2008 in connection with pixel defects.

© IIYAMA CORPORATION. ALL RIGHTS RESERVED