



**22" Full HD 10pt touchscreen featuring IPS panel technology and touch through glass function**

The ProLite T2234MSC-B7X uses 10 pt Projective Capacitive touch technology, built into an eye catching bezel with edge-to-edge glass. Featuring IPS technology, it offers exceptional colour performance and wide viewing angles, making it a perfect display for Interactive Digital Signage, kiosk integrators, Instore Retail, Gaming and Interactive Presentations. In addition to the superb image quality, the monitor comes with IP65 rating, which means it is dust and water resistant and with Touch-Through-Glass technology delivering seamless and accurate touch response for true kiosk integration or behind-glass-retail.



IPS

IPS displays are best known for wide viewing angles and natural, highly accurate colours. They are especially suited for colour-critical applications.



Touch technology - Capacitive

This technology uses a sensor-grid of micro-fine wires integrated into the glass that covers the screen. Touch is detected because electrical characteristics of the sensor grid change when human finger is placed on the glass. Thanks to the glass overlay this technology is highly durable, and the touch function remains unaffected even if the glass is scratched. It offers perfect picture performance and will work with human finger (also latex gloved) and stylus-pen.

## 01 DISPLAY CHARACTERISTICS

Diagonal	21.5", 54.6cm
Panel	IPS LED
Native resolution	1920 x 1080 (2.1 megapixel Full HD)
Aspect ratio	16:9
Panel brightness	350 cd/m <sup>2</sup>
Brightness	305 cd/m <sup>2</sup> with touch
Light transmittance	87%
Static contrast	1 000:1 with touch
Response time (GTG)	8ms
Viewing zone	horizontal/vertical: 178°/178°, right/left: 89°/89°, up/down: 89°/89°
Colour support	16.7mln
Horizontal Sync	30.0 - 84.0kHz
Viewable area W x H	476.0 x 267.7mm
Pixel pitch	0.247mm
Bezel colour and finish	black, matte

## 02 TOUCH

Touch technology	projective capacitive
Touch points	10 (HID, only with supported OS)
Touch method	stylus, finger, glove (latex)
Touch interface	USB
Supported operating systems	All iiyama monitors are Plug & Play and compatible with Windows and Linux. For details regarding the supported OS for the touch models, please refer to the driver instruction file available in the downloads section.
Palm rejection	yes

## 03 INTERFACES / CONNECTORS / CONTROLS

Analog signal input	VGA x1
Digital signal input	HDMI x1 DisplayPort x1
Audio output	Speakers 2 x 3W
HDCP	yes

## 04 FEATURES

Extra	Anti-fingerprint coating, touch through-glass
Glass thickness	2.5mm
Glass hardness	7H
Water and dust protection	IP65 (front)

## 05 GENERAL

OSD languages	EN, DE, FR, ES, IT, CN, JP
Control buttons	Menu, Scroll up/ Brightness, Scroll down/ Mute, Select, Power

<b>User controls</b>	Picture (contrast, brightness, H.position, V.position, phase, clock, auto adjust), advanced (color temp., sharpness), OSD (time out, position, H-position, V-position, Touch switch), option (reset, language, source select, display mode, volume, mute, factory)
----------------------	--

<b>Plug&amp;Play</b>	DDC2B
----------------------	-------

## 06 MECHANICAL

<b>Orientation</b>	landscape, portrait, face-up
--------------------	------------------------------

<b>Tilt angle</b>	90° up; 5° down
-------------------	-----------------

<b>VESA mounting</b>	100 x 100mm
----------------------	-------------

<b>Cable management system</b>	yes
--------------------------------	-----

## 07 ACCESSORIES INCLUDED

<b>Cables</b>	power, USB, HDMI, Audio, DP
---------------	-----------------------------

<b>Guides</b>	quick start guide, safety guide
---------------	---------------------------------

<b>Other</b>	AC adapter
--------------	------------

<b>Cable cover</b>	yes
--------------------	-----

## 08 POWER MANAGEMENT

<b>Power supply unit</b>	external
--------------------------	----------

<b>Power supply</b>	DC 12 V
---------------------	---------

<b>Power usage</b>	21W typical, 1.5W stand by, 0.3W off mode
--------------------	---

## 09 SUSTAINABILITY

<b>Regulations</b>	CE, EAC, RoHS support, ErP, WEEE, cULus, VCCI, REACH
--------------------	--

<b>Energy efficiency class (Regulation (EU) 2017/1369)</b>	F
--	---

<b>REACH SVHC</b>	above 0.1%: Lead
-------------------	------------------

## 10 DIMENSIONS / WEIGHT

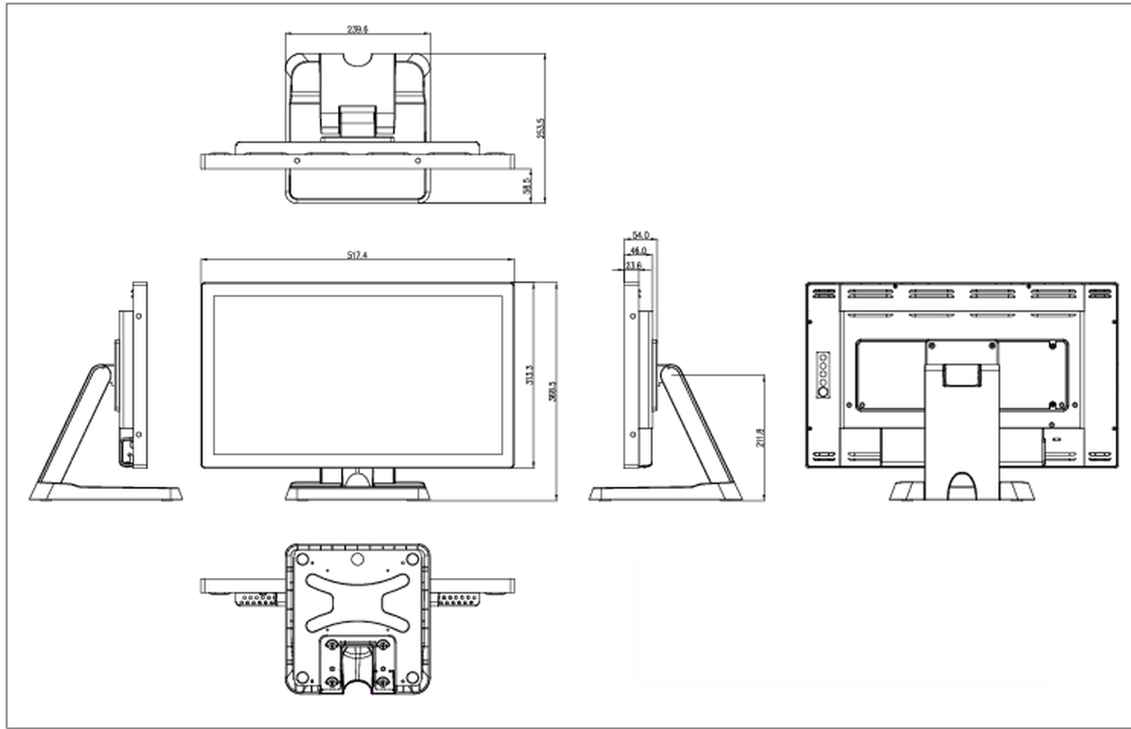
<b>Product dimensions W x H x D</b>	517.5 x 351.5 x 219mm
-------------------------------------	-----------------------

<b>Box dimensions W x H x D</b>	615 x 405 x 330mm
---------------------------------	-------------------

<b>Weight (without box)</b>	6.6kg
-----------------------------	-------

<b>Weight (with box)</b>	7.2kg
--------------------------	-------

<b>EAN code</b>	4948570118359
-----------------	---------------



*All trademarks and registered trademarks acknowledged. E & O E. Specification subject to change without notice. All LCD's comply with ISO-9241-307:2008 in connection with pixel defects.*

© IYAMA CORPORATION. ALL RIGHTS RESERVED