



### 32" Full HD Professional Digital Signage 24/7 display featuring Android OS and FailOver

Choose non-stop high performance and reliability with the ideal all-in-one signage solution for mission critical environments. The LH3275HS from iiyama can be operated in landscape or portrait orientation in continual around the clock environments, 24/7 without any interruption. Its versatility can be adapted to your industry's display needs. On-board Android 11 OS means you can easily customize the display to your needs and install applications directly to it.

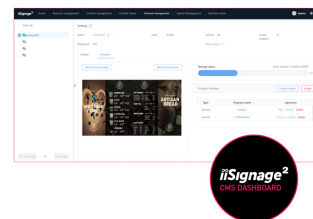
The on-board [iiSignage²](#) (Content Management System) gives you total control of your messaging and advertising remotely and safely. The FailOver feature ensures your content is always actively displayed through your choice of inputs. The built-in (and removable) WiFi module means this series is ready for remote content delivery using your network.

With the [EShare app](#) you bring effortless ideation and efficient collaboration in your enterprise or school. You can start sharing wirelessly easier than ever before.



Android OS

Thanks to Android OS, you can easily customize the display to your needs by installing applications directly to it.



iiSignage²

iiSignage² is our digital signage content management platform to easily show and control your content and to manage your displays in a secure way. The Content Management System (CMS) gives you total control of your messaging and advertising remotely and safely.

## 01 DISPLAY CHARACTERISTICS

|                                  |   |
|----------------------------------|---|
| Design                           | Thin bezel  |
| Diagonal                         | 31.5", 80cm   |
| Panel                            | IPS, AG coated glass, matte finish, haze 25%                          |
| Native resolution                | 1920 x 1080 @60Hz (2.1 Megapixels, Full HD)                           |
| Aspect ratio                     | 16:9  |
| Panel brightness                 | 500 cd/m <sup>2</sup>   |
| Static contrast                  | 1200:1  |
| Response time (GTG)              | 8ms   |
| Viewing zone                     | horizontal/vertical: 178°/178°, right/left: 89°/89°, up/down: 89°/89° |
| Colour support                   | 16.7mIn (NTSC 72%)  |
| Horizontal Sync                  | 28 - 160kHz   |
| Viewable area W x H              | 698.4 x 392.85mm, 27.5 x 15.5"  |
| Bezel width (sides, top, bottom) | 11.9mm, 11.9mm, 11.9mm  |
| Pixel pitch                      | 0.364mm   |
| Bezel colour and finish          | black, matte  |

## 02 INTERFACES / CONNECTORS / CONTROLS

|                       |   |
|-----------------------|---|
| Digital signal input  | HDMI x2 (v.2.0, max. 1920x1080 @60Hz, ARC on HDMI #2)<br>DisplayPort x1 (v.1.2, max. 1920x1080 @60Hz) |
| Monitor control input | RS-232c x1 (2.5mm sub-mini jack)<br>RJ45 (LAN) x1   |
| Audio output          | Mini jack x1<br>Speakers 2 x 10W  |
| HDCP                  | v.2.2   |
| USB ports             | x2 (v.2.0)  |

## 03 FEATURES

|                              |   |
|------------------------------|---|
| Integrated software          | Android 11 OS, iiSignage2, FailOver, EShare         |
| WiFi                         | yes (Built-in, 802.11ac)                            |
| Hardware                     | CPU: A73*4+A53*4, GPU: G52 MP8, RAM: 4GB, ROM: 32GB |
| Max. non-stop operating time | 24/7  |
| Anti image retention         | yes   |
| Media playback               | yes   |
| Housing (bezel)              | metal   |

## 04 GENERAL

|                 |  |
|-----------------|--|
| OSD languages   | EN, DE, FR, ES, IT, CN, RU, JP, CZ, NL, PL, SV, FI, DA, NB |
| Control buttons | Power  |

## User controls

picture (brightness, contrast, sharpness, black level, tint, colour, noise reduction, gamma selection, colour temperature, colour control, picture reset), screen (zoom mode, custom zoom, screen reset), audio (balance, treble, bass, volume, audio out, maximum volume, minimum volume, mute, audio reset, audio out sync, speaker setting), configuration 1 (Android launcher, switch on state, panel saving, RS232-routing, boot on source, WOL, configuration 1 reset, factory reset), Configuration 2 (OSD timeout, OSD H-Position, OSD V-position, system rotation, information OSD, logo and animation, logo setting, animation setting, monitor ID, Group ID, monitor information, HDMI version, configuration 2 reset), advanced option (no signal image, IR control, power LED light, off timer, schedule, HDMI with one wire, HDMI with one wire power off, FailOver, language, OSD transparency, power saving, auto power off, SDM settings, advanced option reset)

## Plug&Play

DDC2B

## 05 MECHANICAL

### Orientation

landscape, portrait

### Fanless design

yes

### VESA mounting

200 x 200mm

### Operation temperature range

0°C - 40°C

### Storage temperature range

- 20°C - 60°C

### MTBF

44.000 hours (excluding backlight)

## 06 ACCESSORIES INCLUDED

### Cables

power, HDMI, RS-232c

### Guides

quick start guide, safety guide

### Other

Stickers for screw holes, AC switch cover, screw, cable clips

### Remote control

yes (batteries included)

## 07 POWER MANAGEMENT

### Power supply unit

internal

### Power supply

AC 100 - 240V, 50/60Hz

### Power usage

46W typical, 0.5W stand by, 0.3W off mode

## 08 SUSTAINABILITY

### Regulations

CE, TÜV-Bauart, RoHS support, ErP, WEEE, REACH, UKCA

### Energy efficiency class (Regulation (EU) 2017/1369)

G

## 09 DIMENSIONS / WEIGHT

### Product dimensions W x H x D

725.5 x 421.8 x 54mm

### Box dimensions W x H x D

824 x 554 x 119mm

### Weight (without box)

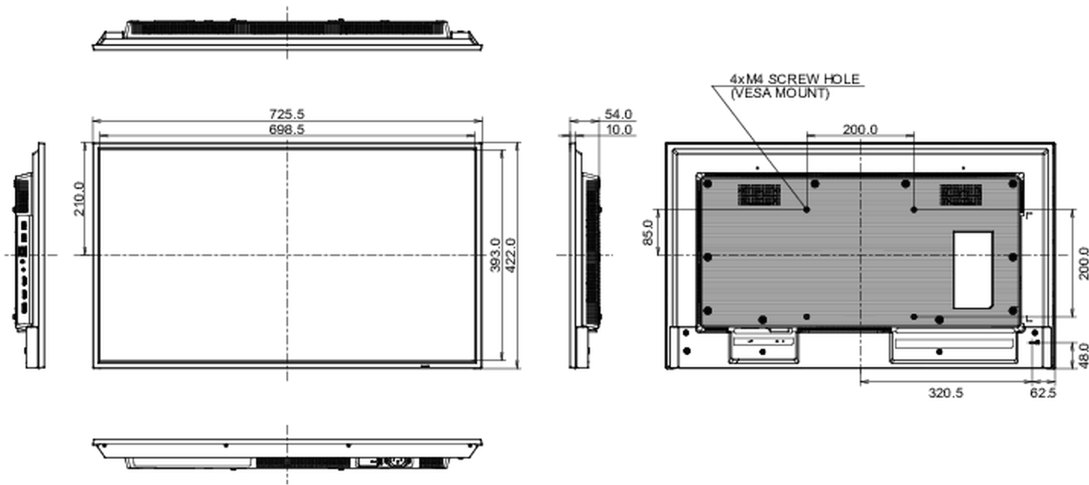
5.2kg

### Weight (with box)

7.3kg

### EAN code

4948570124220



All trademarks and registered trademarks acknowledged. E & O E. Specification subject to change without notice. All LCD's comply with ISO-9241-307:2008 in connection with pixel defects.

© IYAMA CORPORATION. ALL RIGHTS RESERVED