

For ProLite TF3239MSC, ProLite TF4339MSC, ProLite TF4939UHSC, ProLite TF5539UHSC, ProLite TF6539UHSC

CHECKING THE CONTENTS OF THE PACKAGE

The following parts are included in the package and make sure you have all of them. If anything is missing or damaged, please contact your local iiyama dealer or regional iiyama office.

Mounting Kits	Monitor	L-Bracket (Q'ty)	M6 Screw (L=6mm)	User Manual (this document)
OMK4-1	ProLite TF3239MSC	EP32TF3 (4pcs)	24pcs	1pc
	ProLite TF4339MSC	OPT 200 (2pcs)		
		OPT 400 (2pcs)		
OMK4-2	ProLite TF4939UHSC	OPT 200 (4pcs)	36pcs	1pc
	ProLite TF5539UHSC	OPT 400 (2pcs)		
	ProLite TF6539UHSC			

SPECIAL NOTES

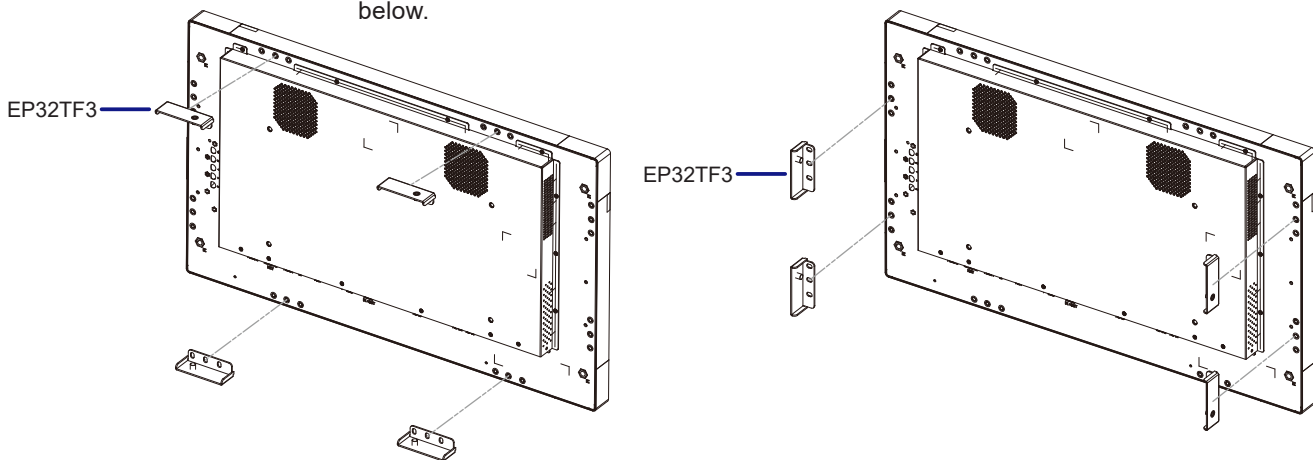
Specified L-Brackets and M6 Screws are necessary to mount an open frame monitor.

- CAUTION**
- The L-Brackets are designed to be mounted to specific wall types and hardware, in accordance with the user manual supplied with the Mounting Kits.
 - Using L-brackets and screws other than those specified in the user manual may damage the monitor.

ATTACHING THE L-BRACKETS

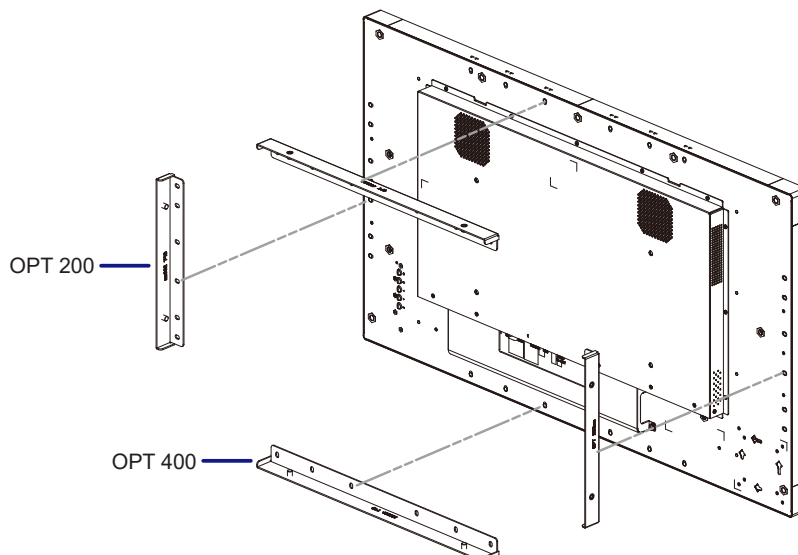
■ ProLite TF3239MSC

Depending on the monitor orientation (portrait or landscape) you choose, attach the L-Brackets to the left and right hand sides or the upper and lower sides of the monitor with the 12pcs of M6 Screw as shown below.



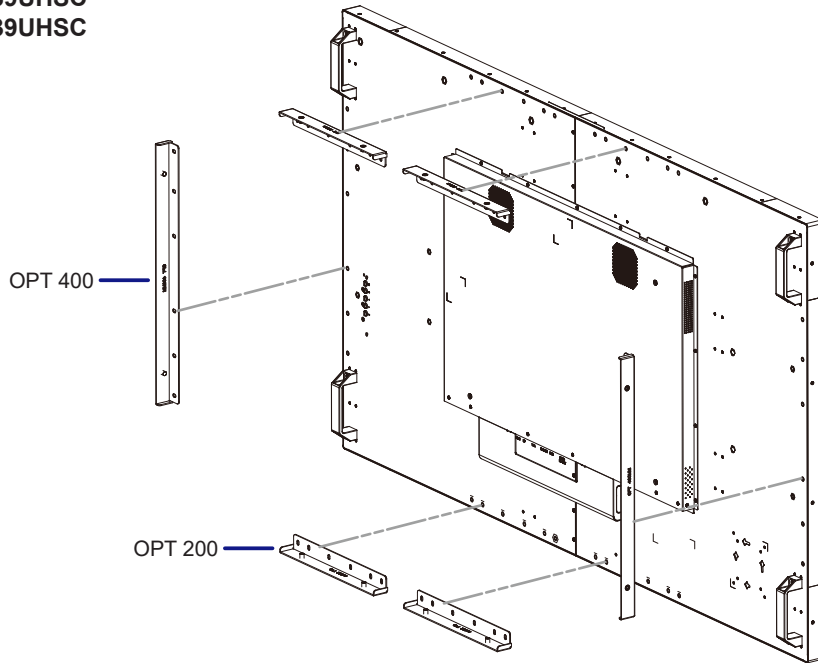
■ ProLite TF4339MSC

Attach the L-Brackets to the monitor with the 24pcs of M6 Screw as shown below.



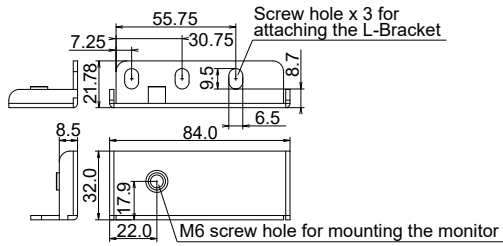
- ProLite TF4939UHSC
- ProLite TF5539UHSC
- ProLite TF6539UHSC

Attach the L-Brackets to the monitor with the 36pcs of M6 Screw as shown below.

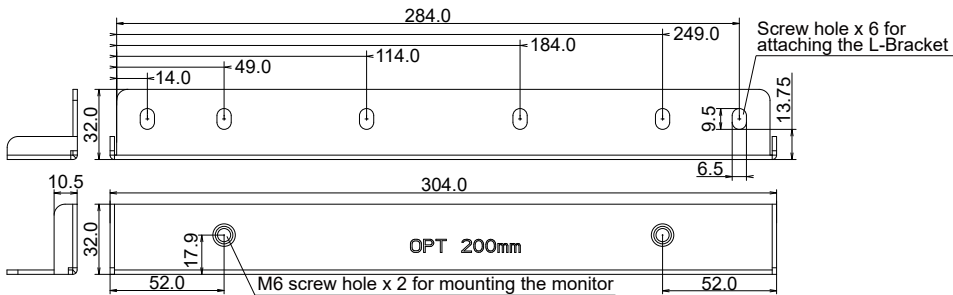


L-BRACKET DIMENSIONS (mm)

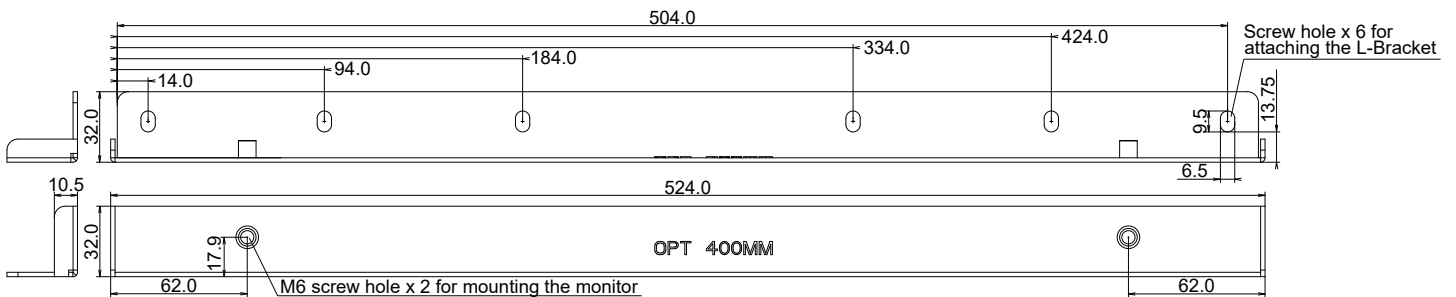
■ EP32TF3



■ OPT 200



■ OPT 400



- NOTE**
- You will need a screwdriver to attach the L-Bracket.
 - L-Brackets and M6 Screws are necessary to mount an open frame monitor. For details regarding temperature and humidity operating conditions of the open frame monitor, see the User Manual on iiyama website. <http://www.iiyama.com>.